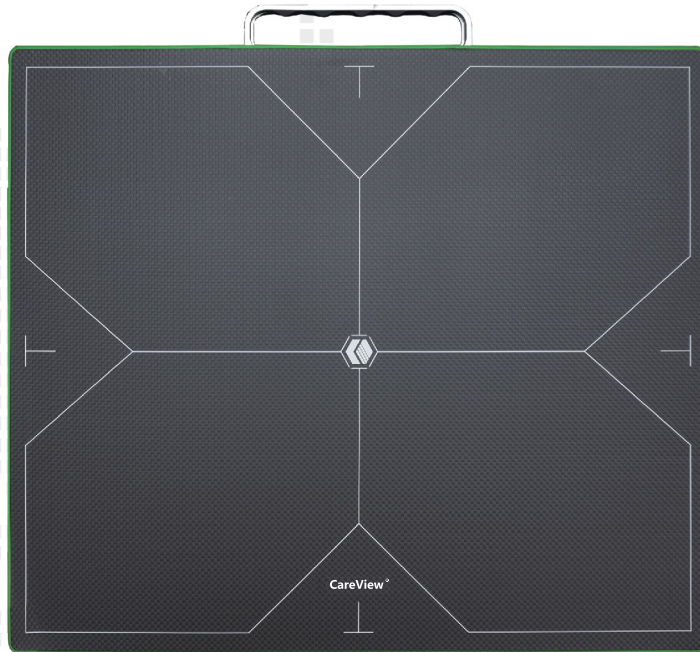


CareView[®] 1500Cw



14"x 17" Cassette-size Wireless Detector

Friendly Operation Experience

- 14"x17" cassette-sized wireless detector; easily fits into standard bucky tray cabinets for upgrading a film or CR system to a flat-panel DR system.
- No wiring to generator with patented Full-Field Automatic Exposure Detection (F²AED[™]) Technology.
- Wireless acquisition and transfer of a full resolution radiography image in ~4 sec with 802.11n interface and dual-bands (2.4/5GHz) at 300Mbps data transmission rate.

Superior Image Quality

- The best performance CsI direct-deposition technology on new generation of TFT/PIN PD panel and low noise electronics.

"Care about you" Design Philosophy

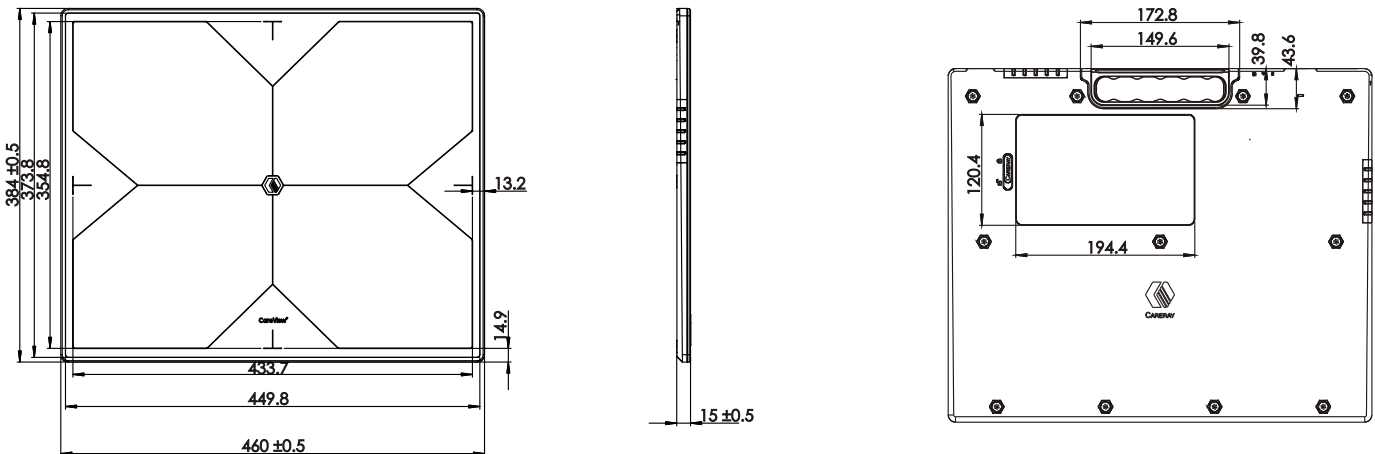
- Extra long battery life with 1400 shots/charge (10 sec interval between shots) and 7 hours stand-by time.
- Light weight and slim design with built-in foldable handle; rubber insulated frame and high strength aluminum-alloy case ensure safe and convenient operations.

CareView® 1500Cw Parameter

Sensor	
Scintillator	CsI Direct Deposit
Active Area	434x355mm ²
Pixel Array	2816X2304
Pixel Pitch	154µm
Image Quality	
Limiting Resolution	3.3lp/mm
MTF	~70%(@ 1 lp/mm)
	~ 40%(@ 2 lp/mm)
	~ 22%(@ 3 lp/mm)
DQE	(@RQA5, 27µGy)
	~65% (@ 0 lp/mm) ~20% (@ 3 lp/mm)
Sensitivity	~0.62ct/nGy
Response Non-linearity	< ± 0.5%
Maximum Linear Dose	95µGy
Dark Noise	~8 nGy
Dynamic Range	~82 dB
Greyscale	16 bits
Communication Interface	
Communication Interface	Gigabit Ethernet 2.4/5GHz, 300Mbps
Image Acquisition Time	2-3s (wired) 4-5s (wireless)

Exposure Control	F ² AED
	Manual
Environmental	
Operating	Natural Cooling
-Temperature Range	5°C-35°C
-Humidity Range (Non-condensing)	30%-75%RH
Storage	
-Temperature Range	-20°C-55°C
-Humidity Range	10%-90%RH
Mechanical	
Dimension	460x384x15mm ³
Weight	3.7Kg
Housing Material	Carbon fiber front
	High Strength aluminium alloy back
Power	
Power Dissipation	<8W(standby) / 20W(operating)
Power Supply	100-240V AC
Frequency	50/60Hz
Regulatory	
FDA	* (In progress)
CE	* (In progress)
UL	* (In progress)

CareView® 1500Cw Dimension (mm)



Specifications are subject to change without prior notice.
 For more information, please visit www.careray.com or contact us via info@careray.com.
 All rights reserved. Copyright@careray Inc 2014.



XTRON IMAGING INC.

405 Britannia Rd E., Units 11-12
 Mississauga, ON L4Z 3E6
 T (905) 670-5051 F (905) 670-5053
 E sales@xtronimaging.com
www.xtronimaging.com

