



KONICA MINOLTA

PRIMARY IMAGING SOLUTIONS

Konica Minolta. Right Solutions. Right Time.

SIGMA II

CS-7s CR System

Easy, Secure, Economical CR

- **CS-7s/Windows 7 based platform meets increased security needs**
- **Easy upgrade path to DR**

Konica Minolta's SIGMA II CS-7s CR System provides enterprise level capabilities for every mid to low volume facility need.

Now you can fulfill your needs in digital CR radiography with a simple, low-cost solution. The SIGMA II CS-7s CR System provides fast patient imaging to help improve workflow and patient needs.

The SIGMA II CS-7s CR System provides a solution that is:

- *Easy to use*
- *Provides Windows 7 security*
- *Offers economic value*

The SIGMA II CS-7s CR System includes the REGIUS Sigma II Reader and the CS-7s Control Station.



Easy to Use

The SIGMA II CR system is the ideal solution for every mid to low volume facility need. With an intuitive user interface on the CS-7s software, there are several menu options and workflow improvements that help simplify the imaging process. This interface provides modality worklist functionality and simplifies use for customized exam tags allowing finer adjustments by the end user.

Provides System Security

Know that your data is secure with this Windows 7 platform. Software upgrade paths are further enhanced to meet the needs for system enhancements and matching your need for improved workflow productivity.

Offers Economic Value

The SIGMA II /CS-7s CR System also allows for future growth by offering upgrades from CR to DR while maximizing value with the Windows 7 platform. Whether you stay with CR or move to DR in the future, Konica Minolta's SIGMA II provides complete flexibility & growth to make that choice when you are ready!

Giving Shape to Ideas

REGIUS Sigma II CS-7s CR System Specifications*

Cassette Sizes	14"x17"/14"x14"/11"x14"/10"x12"/8"x10" 18x24cm/24x30cm/15x30cm
Sampling Pitch	87.5/175 micron
Maximum Resolution	4020 x 4892 (14" x 17" 875µm)
Digital Gradation Level	4096 levels
Throughput	60 plates per hour (14" x 17" 175µm)
Outer Dimensions	24D" x 20W" x 14H"
Weight	62 lbs.
Power Consumption	100VA during operation; 20VA in standby

Imaging Station

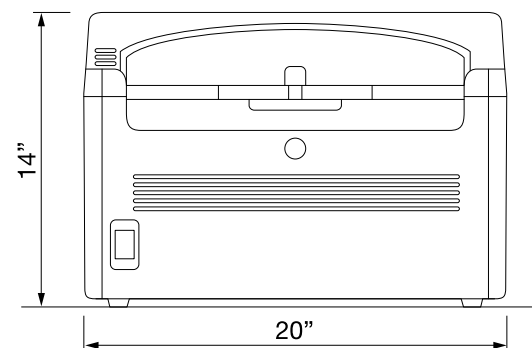
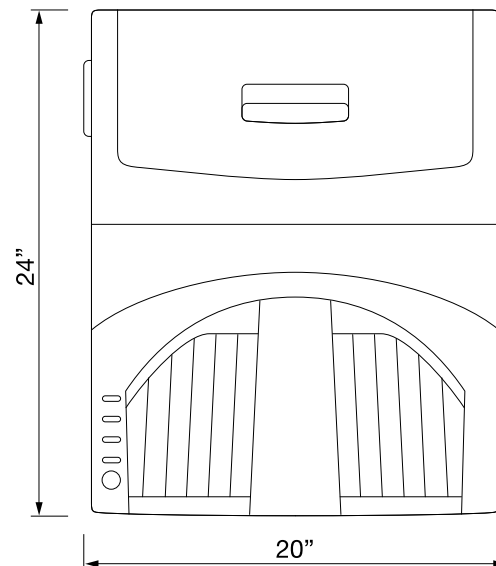
Server Platform	Desktop
Hard Drive Capacity	500GB (1x500GB)
RAM	4GB
OS	Windows 7 Professional 32-bit
Display Options	19" HP LCD, 23" Eizo Multi-Touch LCD

CS-7s Control Station Specifications*

DICOM Services	DICOM Storage (CR/DX SCU) or DICOM Print SCU DICOM Modality Worklist SCU DICOM Grayscale Standard Display Function SCU DICOM Modality Performed Procedure Step SCU DICOM Grayscale Standard Presentation State SCU DICOM Storage Commitment SCU
Image Output	Up to 1 DICOM Store Plus 1 Backup Up to 1 DICOM Print Plus 1 Backup
Image Processing	Automatic Gradation Processing (G processing) Frequency Processing (F processing) Equalization Processing (E processing) Hybrid Processing (H processing)
Image Storage Capacity	Approximately 5,000 images
Dimensions	PC: 7.2"(W) x 15.8"(D) x 14.5"(H) Touch Screen: 17.0"(W) x 20.3"(H) x 8.2"(D)
Weight	PC: 25 lbs.; Touch Screen: 18 lbs.
Power Source	PC: AC 100–240V; 50/60 Hz Touch Screen: AC 100–240V; 50/60 Hz
Heat Generation	PC: Approximately 160 Watts or 548.8 BTU Touch Screen: 40 Watts or 136 BTU
Operating Conditions	Temperature: 15°C – 35°C Humidity: 40% – 80% (non condensing)

*Specifications are subject to change without notice.

Sigma II Dimensions



Konica Minolta's Commitment to Customer Satisfaction

At Konica Minolta, your complete satisfaction is our number one goal. From pre-installation through the lifetime of your investment, our professional Reseller Network provides the technical expertise you need. Project management, Applications Training, and Field Services are different teams of Konica Minolta Trained Reseller professionals that work together to maintain your continued satisfaction over the lifetime of your investment.

Maximize your investment in CR equipment by selecting the right Customer Satisfaction Agreement to ensure the ongoing operational excellence and productivity that your department needs.



XTRON IMAGING INC.

405 Britannia Rd E., Units 11-12
Mississauga, ON L4Z 3E6
T (905) 670-5051 F (905) 670-5053
E sales@xtronimaging.com
www.xtronimaging.com