

# DVChoice™



A COMPLETE VETERINARY SPECIFIC DIGITAL IMAGING SYSTEM



*DVChoice with float top*

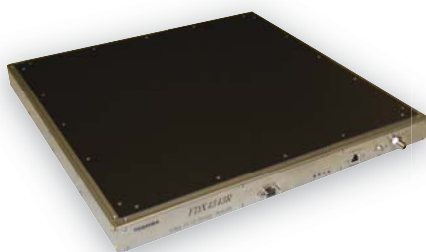
This complete flat panel DR system combines our durable integrated table/tube stand veterinary system with our DelWorks Veterinary DR package resulting in a user-friendly, feature rich digital imaging system designed specifically for veterinarians.

## Key Features

- Toshiba FDX4343R 17in x 17in flat panel detector
- DelWorks technologist workstation
- DelWorks veterinary image acquisition & processing software
- Integrated tube stand with fixed SID
- Angulating tube arm
- 40kW anatomically programmed, high frequency, digital ready generator
- Available with stationary, 2-way float or 4-way float table top

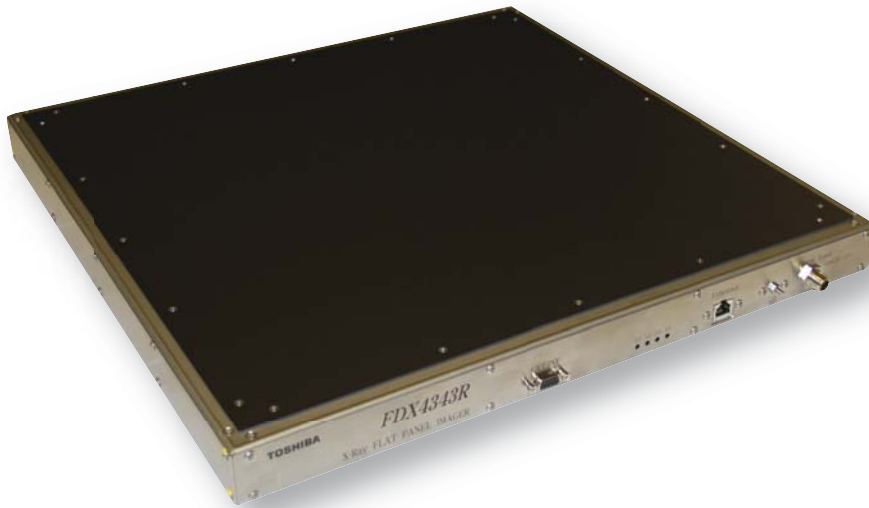
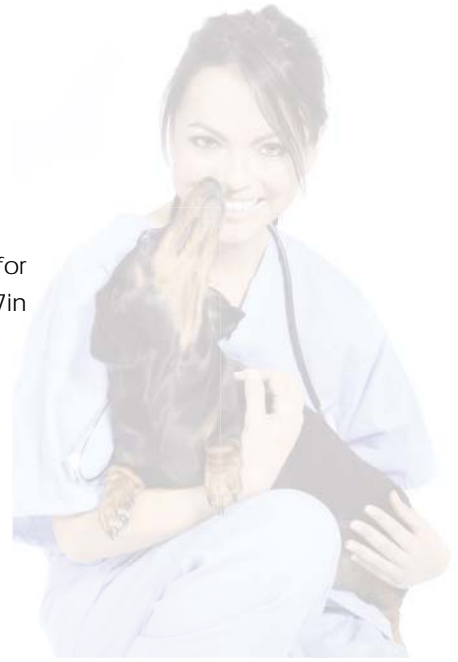
*Exposure footswitch*

*Float top table release*



# DelWorks VETERINARY DR

DelWorks Veterinary DR is a complete digital package specifically designed for the veterinary imaging. High resolution images are captured with the 17in x 17in TOSHIBA FDX4343R, Cesium Iodide (CsI) flat panel detector.

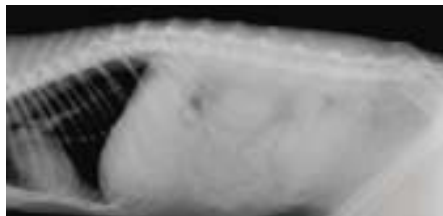


The user-friendly DelWorks Veterinary specific acquisition software is easy to operate and features a wide range of tools for a variety of image manipulations. Images display in less than 1 second after exposure on the TFT color LCD clinical review display with touch screen interface. This DICOM compliant, high definition display provides more accurate gray scales and better contrast than standard monitors.

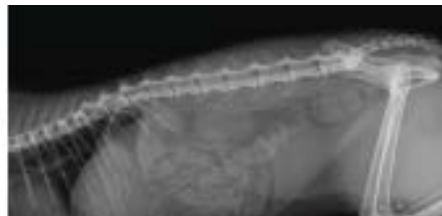
Automatic image optimization is achieved with the integrated *Advanced Image Processing* software, so you can get the image you need fast to make your diagnosis quickly and efficiently.




Standard Processing



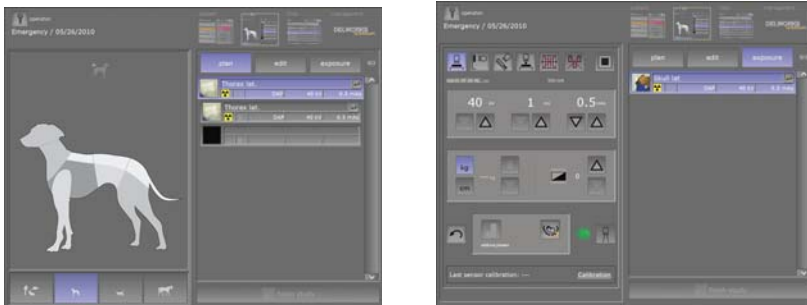
with Advanced Image Processing



# DelWorks Veterinary Image Acquisition & Processing Software

 *Simple to use software that guides you every step of the way.*

Begin by planning your exam. Choose the animal and area(s) of interest with DelWorks anatomical selection tool. Pre-programmed plan studies included for dogs, cats, horses and several small pets.



The unique Animal Positioning Guide ensures accuracy with step by step instructions and visual aids. The generator panel displays all values and settings recommended for a specific examination.



View your image on the preview screen and perform manipulations such as zoom, PAN and rotate for easier image diagnosis. Switch to the viewer screen to review all patient studies and access extensive toolbar.



## PLAN your studies



## POSITION your patient



## PREVIEW your image



# DVChoice™

A COMPLETE VETERINARY SPECIFIC DIGITAL IMAGING SYSTEM



## SPECIFICATIONS

### DelWorks DR Detector

- TOSHIBA FDX4343R, Cesium Iodide (CsI) Scintillator with Amorphous Silicon (a-Si) Photodiode
- 17in x 17in detector size (512mm x 495mm x 43mm)
- 16.9in x 17.3in active area
- 143µm pixel size
- 9 megapixel (3,008 x 3,072 pixels)
- 3.5 lp/mm
- 6 second cycle time (shot to shot)
- MTF (2.0 lp/mm, 70 kVp, 1x1) 30% typ.
- DQE (0), Quantum-Limited >70%
- Less than one (1) second to image preview
- Operating temperature +50° F to +95° F
- 14 bit A/D conversion
- 16 bit digital output (1000 Base-T)
- External X-ray synchronization control using included external synchronization device

### Technologist Workstation Hardware

- Dell Optiplex 7010, small form factor computer with Intel Core i5, 3.0GHz, 4GB RAM, 500GB hard drive, weight 15lb (6.80kg)
- 19in touch screen, flat-panel display, weight 18.74lb (8.5kg). Display rotates 90° landscape/vertical.
  - Active screen diagonal 19in (483mm); width 14.80in (376mm); height 11.85in (301mm)
  - Pixel pitch 0.294mm, 16.8 million colors
- Keyboard and mouse

### Processing Software

- Extensive measuring functions
- CD/DVD burning for patient images
- DICOM Store, Print, and MWL
- Generator integration (on select models)
- Advanced Image Processing features
- Unique Animal Positioning Guide
- Grid suppression software
- Extensive tool library with measuring, layout adjustments, export options and more
- Patient CD creation



### DVChoice Integrated Table/Tube Stand

- Welded table construction with 400lb load capacity and urine trap
- Integrated tube stand with electric locks travels full length of table
- Angulating tube arm, angulation dial and operator handle
- Electric table locks on 2-way float or 4-way float table top
- Foot activated exposure switch
- 17in x 17in grid cabinet with tube stand interlock for FDX4343R detector
- Grid: 10:1 ratio, 178 line, 34-44in focal range
- Certified manual collimator with built-in spare bulb and retractable tape measure
- X-ray tube: 200,000 heat unit, 0.6-1.5mm focal spots with 90° horn angle
- One pair 15ft high voltage cables, terminated both ends

### DVChoice System Options

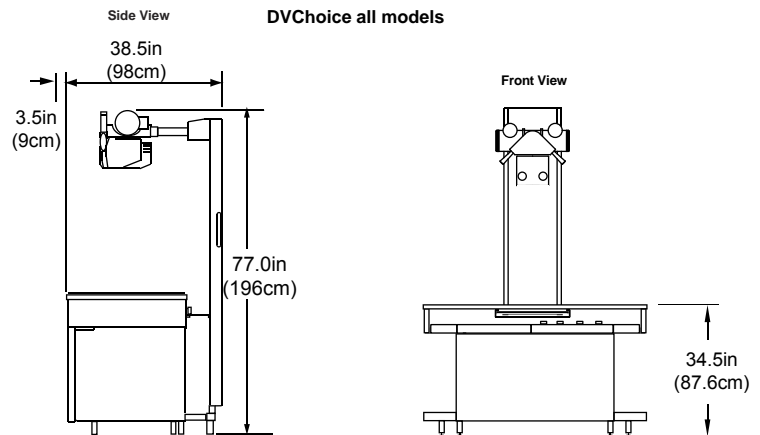
- Available with stationary, 2-way float or 4-way float table top

### Generator

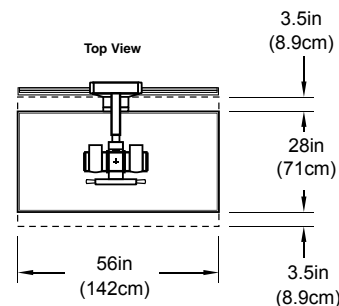
- CMDR 500mA, 40kW, high frequency, digital ready, three-phase with anatomical programming

### Generator Options

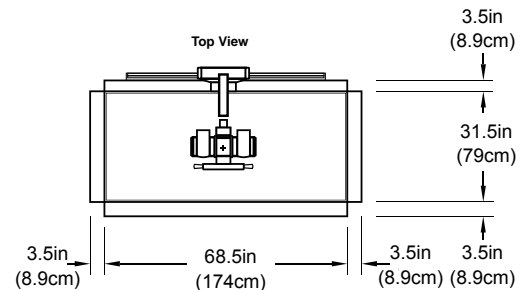
- Pedestal stand
- 32kW generator options are also available



### DVChoice stationary and two-way float



### DVChoice four-way float



XTRON IMAGING INC.

405 Britannia Rd E., Units 11-12  
Mississauga, ON L4Z 3E6

T (905) 670-5051 F (905) 670-5053

E sales@xtronimaging.com

www.xtronimaging.com